

DETAIL SHEET
97 & 111 BOSTON STREET
TOPSFIELD, MA

DRAWING: DETAIL
SCALE: AS NOTED
JUNE 1, 2015
NO. REVISION
DATE

OWNER:
 RICHARDSON GREEN, INC.
 2 CENTRAL STREET
 MIDDLETON, MA 01949

APPLICANT:
 AGRICULTURAL SOCIETY
 255 BOSTON STREET
 TOPSFIELD, MA 01563

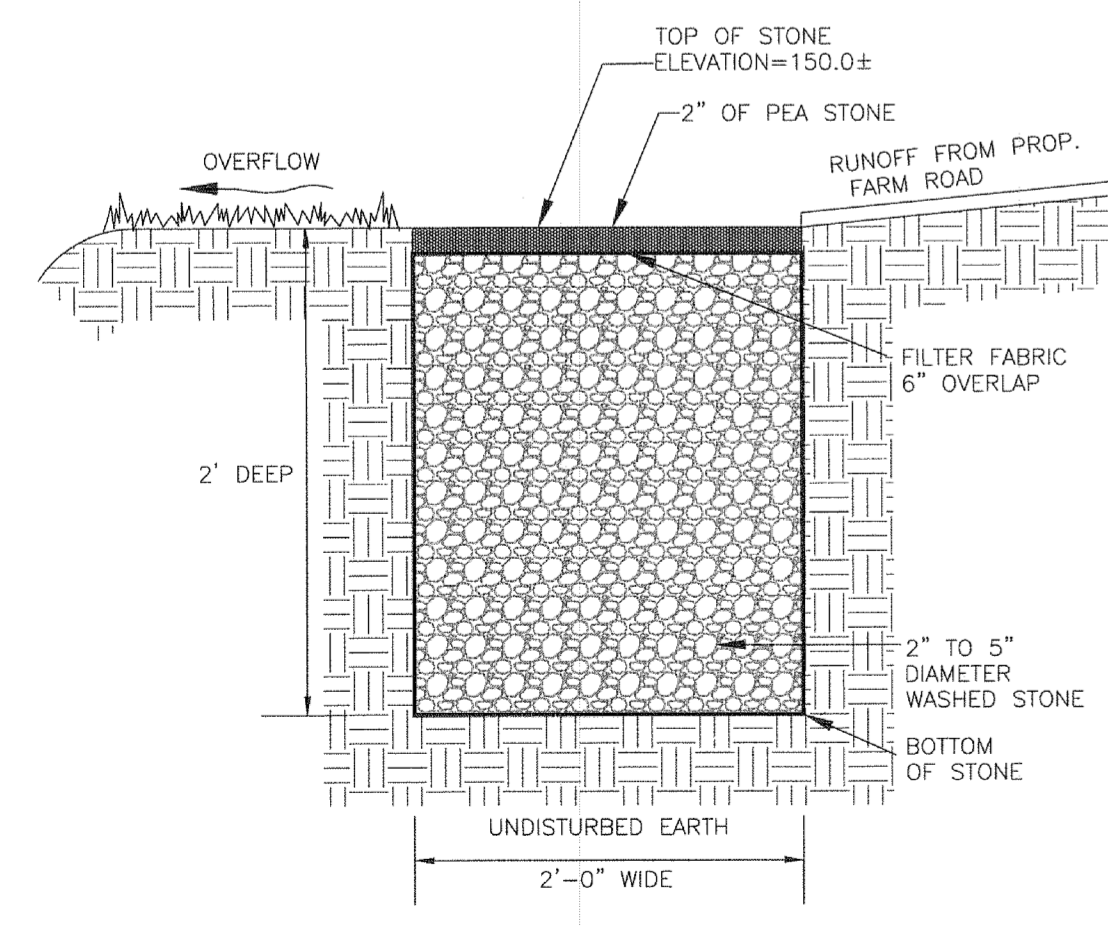
Designed By: GJH Drawn By: JST
 Reviewed By: RLW Project Manager: RLW

Job File Number: TOPS-0028
 Drawing File Folder: TOPS0028

Drawing issued for Review Only
 Drawing issued for Permit
 Drawing issued for Construction

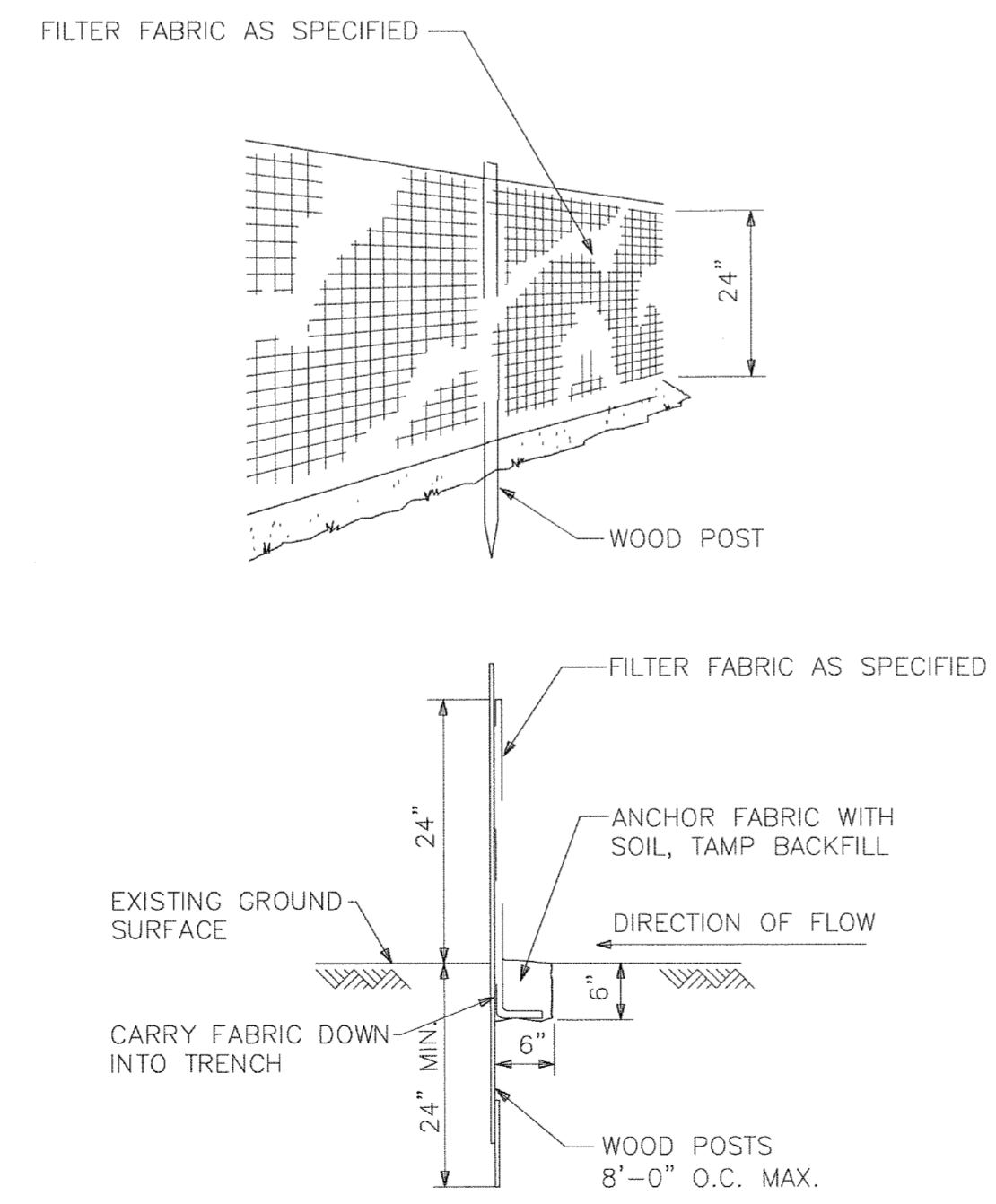
WILLIAMS & SPARAGES
 ENGINEERS • PLANNERS • SURVEYORS

189 NORTH MAIN STREET
 SUITE 101
 MIDDLETON, MA 01949
 PHONE: (978) 339-8088
 FAX: (978) 339-8200

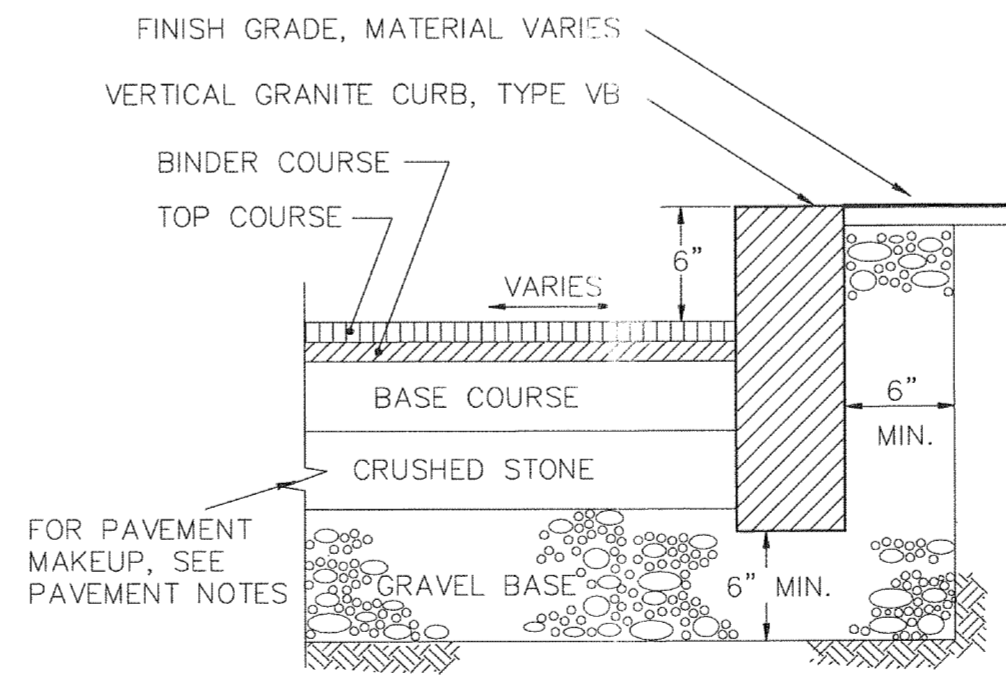


STONE INFILTRATION TRENCH
 (535'± LONG)
 DETAIL
 (NOT TO SCALE)

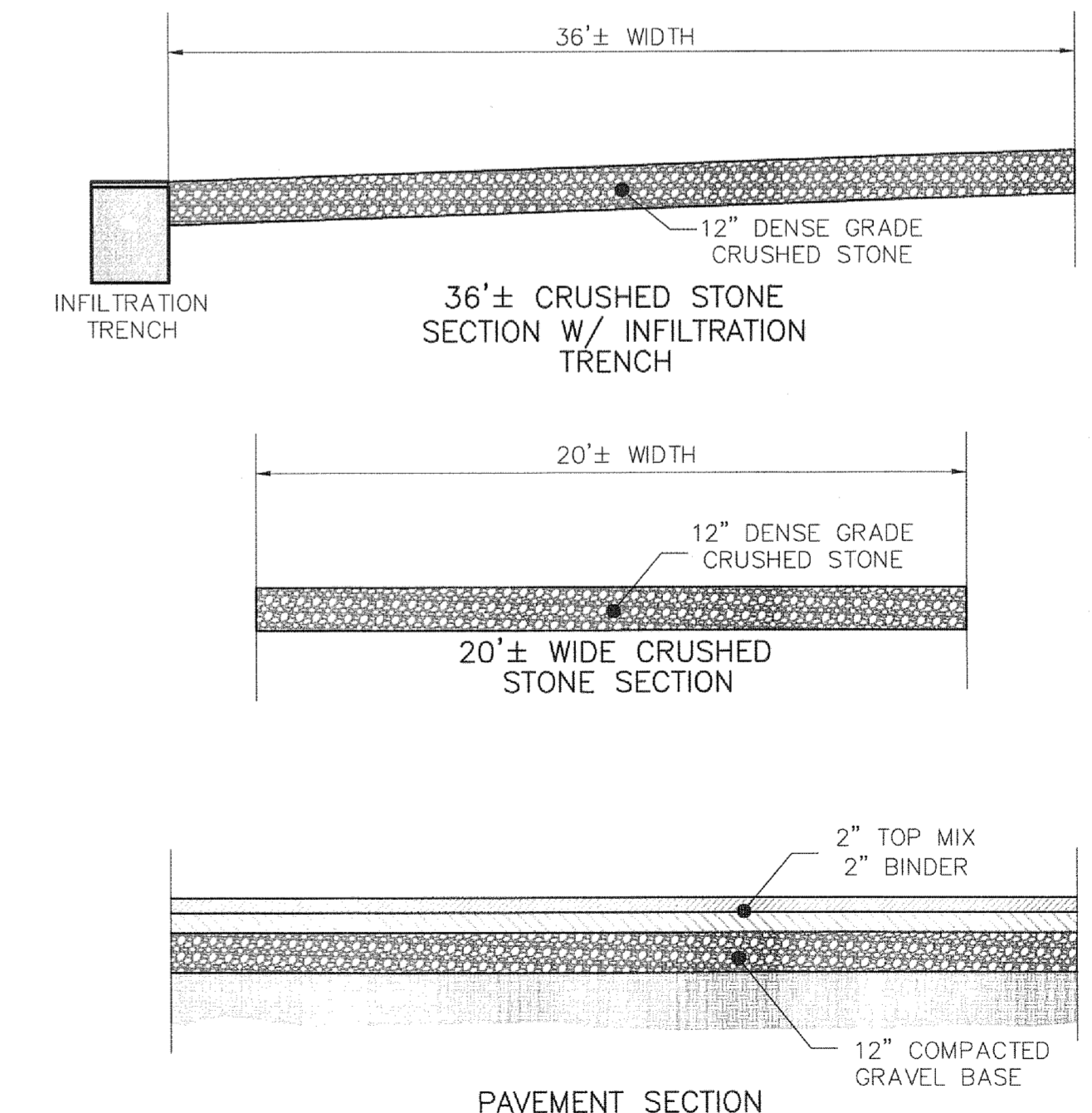
NOTE: SEE PLAN VIEW FOR PROPOSED LOCATION.



SILTFENCE
 DETAIL
 (NOT TO SCALE)



VERTICAL GRANITE CURB
 DETAIL
 (NOT TO SCALE)



P:\TOPS-0028\97 & 111 Boston Street\Drawings\SP\Detail\97-111.dwg, JST